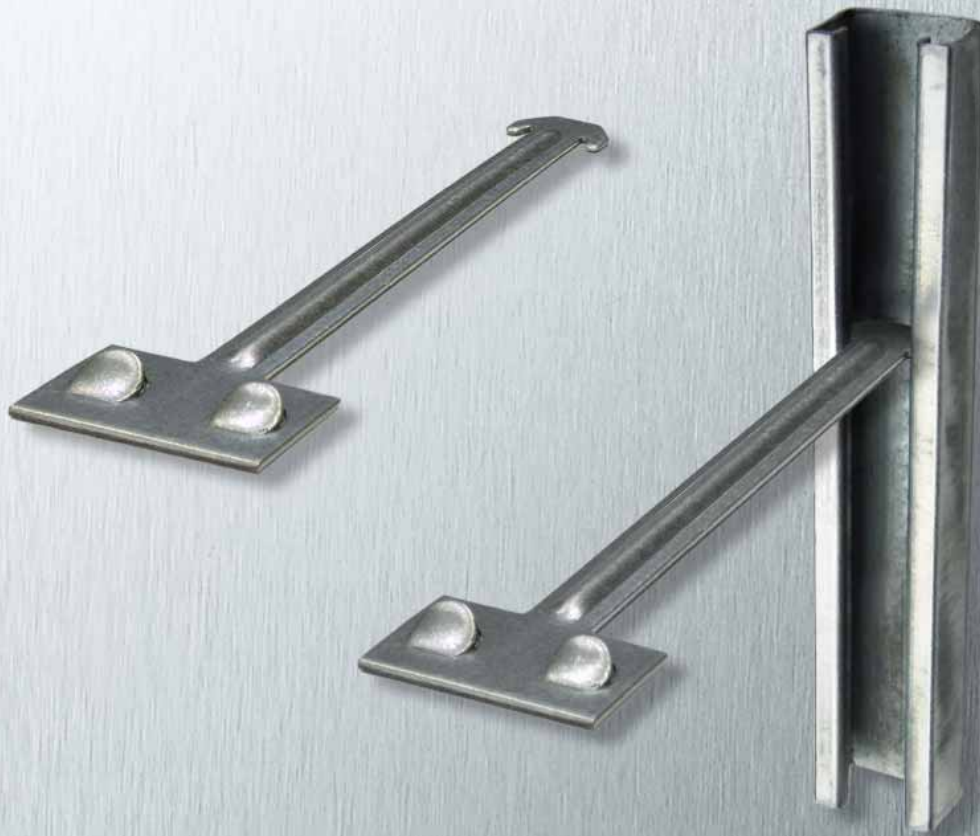


# HALFEN HFA FLEMING ANCHOR

## TECHNICAL PRODUCT INFORMATION



*HALFEN HFA FLEMING ANCHOR*

HFA 11-US

FAÇADE



**HALFEN**  
YOUR BEST CONNECTIONS

# HALFEN HFA FLEMING ANCHOR

## Product Description

The Fleming Masonry Anchoring System is used to restrain the exterior width of masonry veneer walls against positive and negative wind loads and seismic forces.

### The system has three elements:

- Fleming Anchor Channels secured to wall construction
- Anchors with one end inserted into the Channel and the other end embedded into the horizontal mortar bed between courses of masonry
- Strands of reinforcing wire in the horizontal mortar joint

Fleming Anchor Channels are profiles 1" x 21/32" (25 mm x 17 mm) with inturned lips roll formed from 22 gage (0.85 mm) pre-galvanized steel strip. Mounting holes are pre-punched at 12" (305 mm) spacings. The channels are available in bundles of 50 pieces each 10'-0" (3050 mm) in length.

Fleming Anchors are T-shaped and are stamped from 14 gage (1.9 mm) thick pre-galvanized steel strip, complete with central stiffening rib and two tabs. They are available in lengths of 2-1/8" (54 mm), 3-1/8" (80 mm), 4-1/8" (105 mm) and 5-1/8" (130 mm). Each size is packed in cartons of 500 pieces.

Custom lengths can also be manufactured.

The Fleming Masonry Anchoring System is suitable for restraining masonry veneer up to 3-5/8" (92 mm) thick and density up to 120 lb/cu.ft (1922 kg/cu m), for all seismic zones and occupancy factors.

**Ultimate pull-out capacity is 290 lbs (1.31 kN) per anchor.**

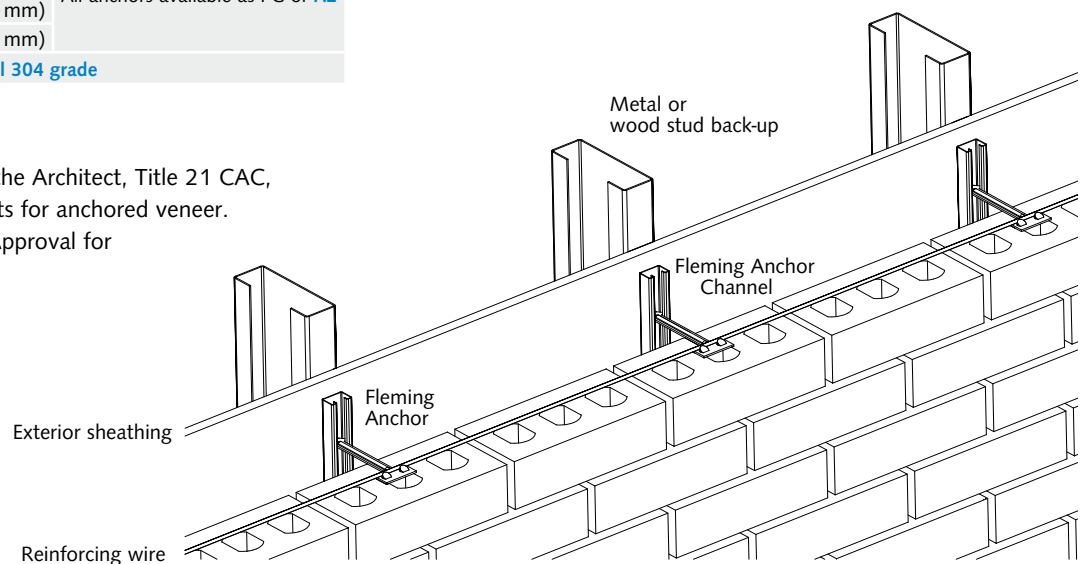
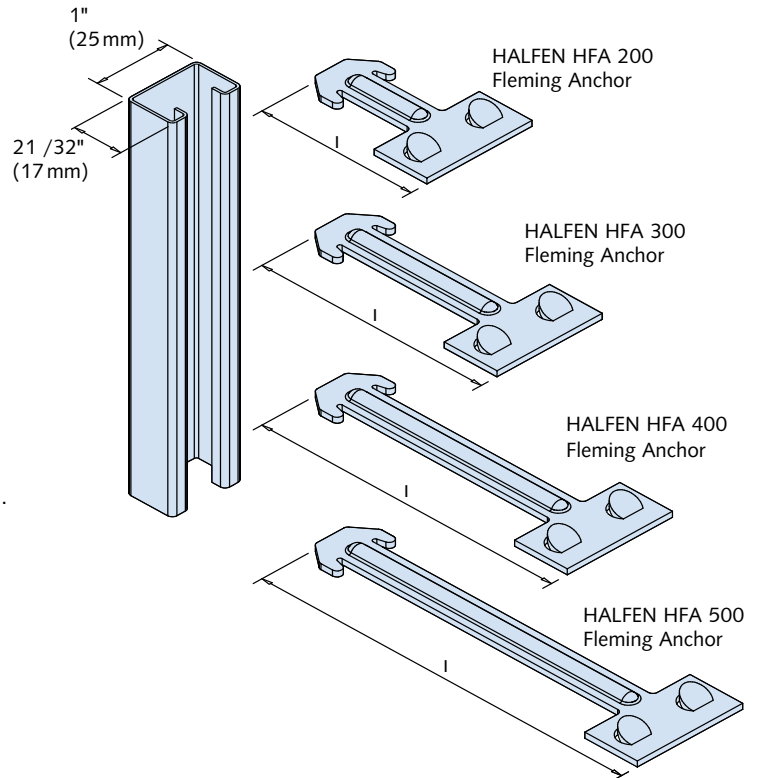
HALFEN HFA Fleming anchors		
Type	length (l)	Material
HALFEN HFA 200	2-1/8" (54 mm)	All anchors available as PG or A2
HALFEN HFA 300	3-1/8" (80 mm)	
HALFEN HFA 400	4-1/8" (105 mm)	
HALFEN HFA 500	5-1/8" (130 mm)	

PG=pre-galvanized A2= Stainless steel 304 grade

### Conforms to:

1. State of California, Office of the Architect, Title 21 CAC, and Title 22 CAC requirements for anchored veneer.
2. City of Los Angeles General Approval for anchoring brick veneer. (Research Report RR 24560).

HALFEN HFA-S 25/17 PG 3050  
HALFEN HFA-S 25/17 A2 3050  
Fleming Anchor Channel



# HALFEN HFA FLEMING ANCHOR

## Product Installation

For installation on wood-framed structures, align the Fleming Anchor Channel vertically at 16" (406 mm) maximum axial spacings over the sheathing at stud locations.

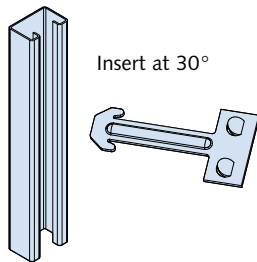
Secure the channel to the wood studs with 10d (3 mm diameter x 76 mm long) galvanized standard nails or corrosion-resistant sheet rock screws at maximum 12" (305 mm) centers.

For installation on metal stud structures, align the Fleming Anchor Channels vertically at 16" (406 mm) maximum axial spacings over the sheathing at stud locations.

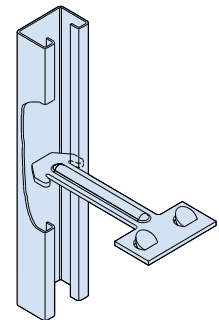
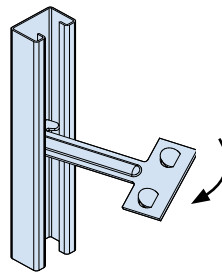
Secure the Channels to the metal studs with no. 10 (4.8 mm) corrosion resistant Teks screws (or equivalent).

For installation to concrete or masonry blocks, secure the channels with 3/16" dia. x 1-1/4" long (min.) tapcon masonry fasteners.

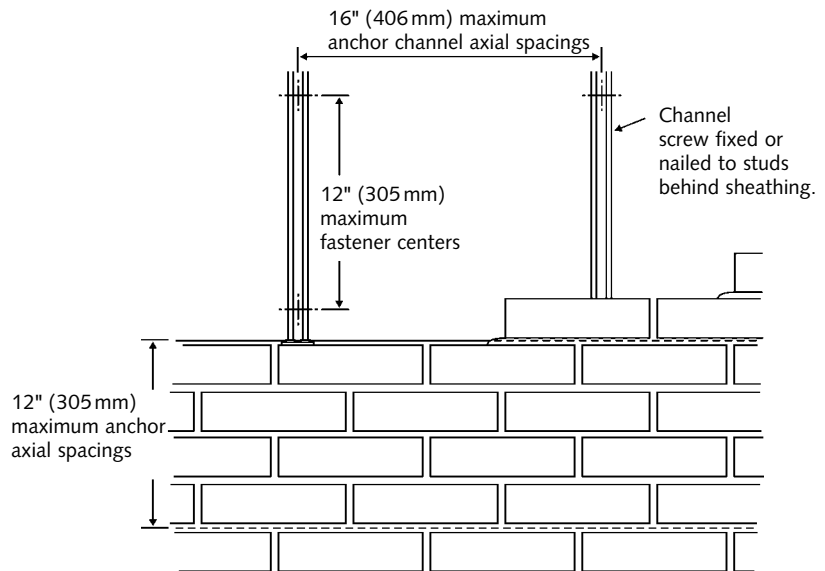
Hold anchor approximately 30° above horizontal and approximately 30° to side insert and rotate down.



Twist and rotate anchor down



### Elevation

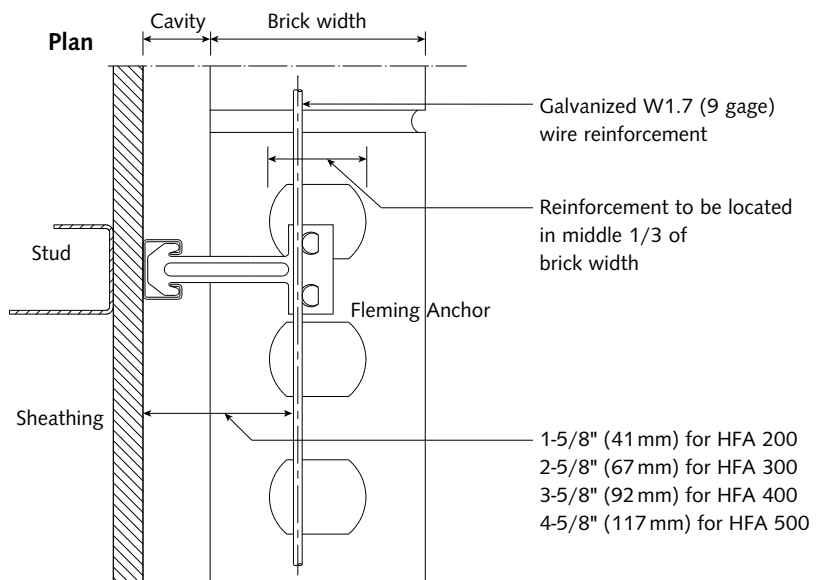


Anchor length depends on cavity width, brick width and position of reinforcement. Select the appropriate length of anchor from the adjacent illustration, ensuring that the reinforcement is in the middle 1/3 of brick width.

After the first 2 or 3 courses of masonry have been laid, install the foot end of the Anchors into the channel. Anchors are required at 12" (305 mm) maximum vertical spacing.

Galvanized W1.7- [ie. 9 gage] (3.8 mm diameter) wire reinforcement is then placed behind the tabs on the anchors. Reinforcement at joints must be lapped by at least 6" (152 mm).

**Note:** Fasteners and reinforcement to be supplied by others.



## CONTACT HALFEN WORLDWIDE

HALFEN has a global network of Subsidiary Companies to assist you. The main contact information for North America, Europe and Asia is provided below. For a full list of offices please visit [www.halfen.com](http://www.halfen.com)



USA & Mexico	HALFEN USA Inc. 8521 F.M. 1976 Converse, TX 78109	Phone: +1 800.423.9140 E-Mail: <a href="mailto:info@halfenusa.com">info@halfenusa.com</a> Web: <a href="http://www.halfenusa.com">www.halfenusa.com</a>	Fax: +1 888.277.1695
Canada	UCC Industries International (Distributor) Units 12 & 13 895 Sandy Beach Road Pickering, Ontario, L1W 3N7  Provinces of British Columbia and Alberta:	Phone: +1 905.831.7724 E-Mail: <a href="mailto:bhughes@ucci.ca">bhughes@ucci.ca</a> Web: <a href="http://www.ucci.ca">www.ucci.ca</a>	Fax: +1 905.831.5872
China	HALFEN Construction Accessories Distribution Co.Ltd. Room 601 Tower D, Vantone Centre No.A6 Chao Yang Men Wai Street Chaoyang District Beijing · P.R. China 100020	Phone: +86 - 10 5907 3200 E-Mail: <a href="mailto:info@halfen.com">info@halfen.com</a> Internet: <a href="http://www.halfen.cn">www.halfen.cn</a>	Fax: +86 - 10 5907 3218
India	CRH India Management Services Pvt. Ltd. 73-C, 3 North Avenue, Maker Maxity, Bandra-Kurla Complex, Bandra (East), Mumbai 400 051	Phone: +91 22.4202.4000 E-Mail: <a href="mailto:bhisham.vaswani@halfen.in">bhisham.vaswani@halfen.in</a> Web: <a href="http://www.halfen.in">www.halfen.in</a>	Fax: +91 22.4202.4001
Germany	HALFEN GmbH Liebigstrasse 14 40764 Langenfeld	Phone: +49 2173 970-0 E-Mail: <a href="mailto:info@halfen.de">info@halfen.de</a> Web: <a href="http://www.halfen.de">www.halfen.de</a>	Fax: +49 2173 970-123

HALFEN is also represented by distributors in Argentina, Australia, Azerbaijan, Belarus, Brazil, Bulgaria, Chile, Colombia, Croatia/Bosnia-Herzegovina/FYROM/Montenegro, Cyprus, Estonia, Greece, Hong Kong, Hungary, Indonesia, Ireland, Israel, Jordan, Kingdom of Saudi-Arabia, Latvia, Lebanon, Lithuania, Luxembourg, Malaysia, Malta, Mexico, New Zealand, Peru, Philippines, Republic of Kazakhstan, Romania, Russia, Serbia, Singapore, Slovenia, South Korea, Taiwan/ROC, Thailand, Turkey, Ukraine, United Arab Emirates, Uruguay, Vietnam

HALFEN GmbH shall not accept liability for the accuracy of the information in this publication or for any printing errors.